

TRANSPORTATION

Base Machine

Condition 1 : With Lower Trans-lifter		Weight	65.0 t
		Width	3.0 m
		Height (Machine)	3.4 m

Condition 2 : With Quick connection		Weight	45.3 t
		Width	3.0 m
		Height (Machine)	2.5 m
With Lower Trans-lifter Quick connection		Weight	23.0 t
		Width	3.0 m

Upper trans-lifter and quick connection device is an optional item.

Crawler

With 1 x Crawler frame and shoes		Weight	40.0 t
		Width	1.9 m

Attachments

With 1 x 12 m insert boom 1 x 12 m insert jib 2 x counterweights		Weight	28.6 t
		Width	3.0 m
		Height (Boom)	2.9 m

Note: Due to our policy of continual product improvements all designs and specifications are subject to change without advance notice. Copyright by KOBELCO CRANES CO., LTD. No parts of this catalog may be reproduced in any manner without notice.



KOBELCO CRANES CO., LTD.

17-1, Higashigotanda 2-chome, Shinagawa-ku, Tokyo 141-8626 JAPAN
Tel: +81-3-5789-2130 Fax: +81-3-5789-3372

Inquiries To:

HYDRAULIC CRAWLER CRANE



SL6000

Max. Lifting Capacity: 550 t
Max. Boom Length: 126 m
Max. Luffing Jib: 84 m

S P E C I F I C A T I O N S

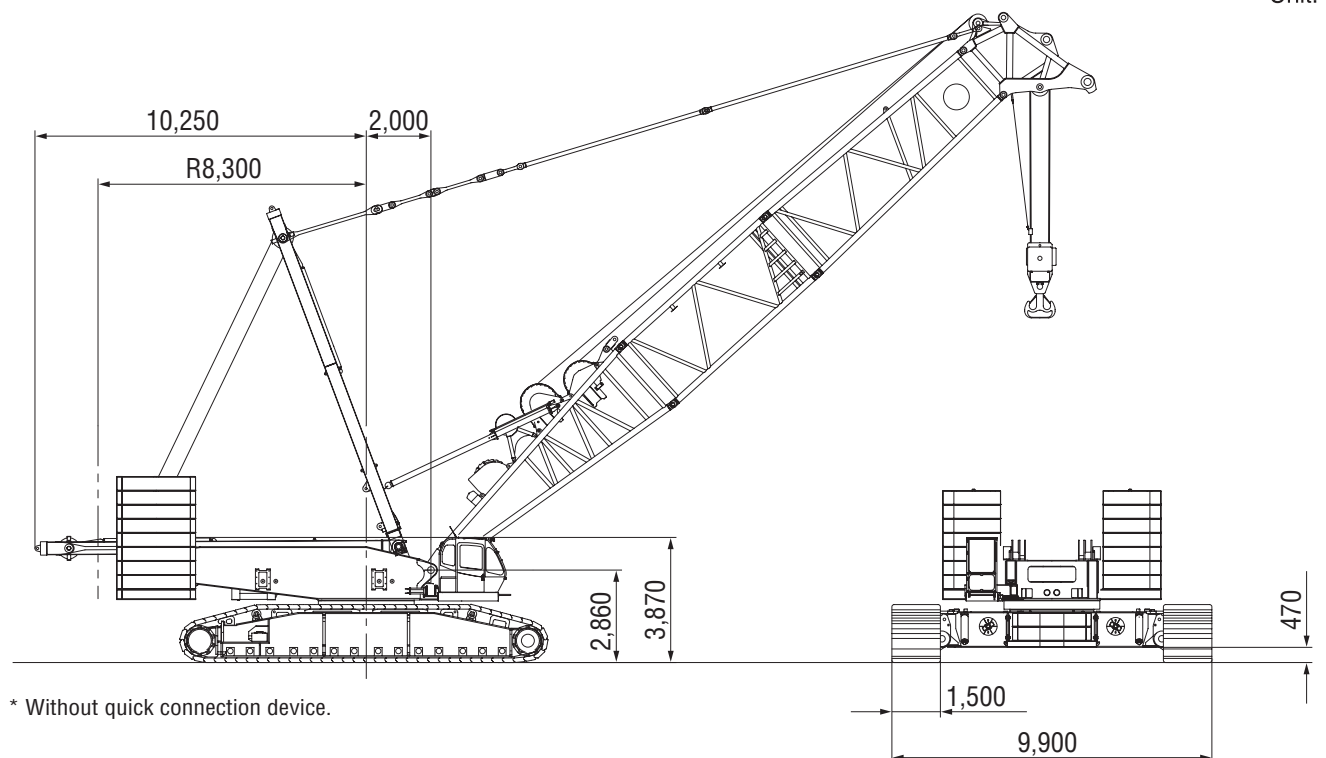
Lift Enhancer	STD	HL	SHL
HL Mast	-	30 m	30 m
Additional Weight	-	-	~ 250 t
Crane Boom (Heavy Duty)			
Max. Lifting Capacity	450 t	350 t	550 t
Length	6.7 m		
	24 ~ 42 m	36 ~ 42 m	36 ~ 42 m
Crane Boom (Standard)			
Max. Lifting Capacity	300 t	300 t	300 t
Length	9 m		
	24 ~ 84 m	36 ~ 84 m	36 ~ 84 m
Long Boom			
Length	90 ~ 108 m	90 ~ 108 m	90 ~ 126 m
Luffing Jib			
Max. Lifting Capacity	184 t	200 t	200 t
Max. Combination (Boom)	60 m	60 m	84 m
(Jib)	72 m	72 m	84 m
Luffing Angle	68° ~ 86°		
Power Plant			
Model	Hino E13C-UV		
Engine Output	320 kW/2,000 min ⁻¹ {rpm}		
Fuel Tank Capacity	600 liters		

Main & Aux. Winch	
Max. Line Speed	110 m/min (1st layer)
Rated Line Pull (Single line)	137 kN {14.0 tf}
Wire Rope Diameter	28 mm
Wire Rope Length	830 m (Main) 830 m (Aux.)
Working Speed	
Swing	0.9 min ⁻¹ {rpm}
Travel	1.0/0.6 km/h
Hydraulic System	
Pumps	6 variable displacement
Max. Pressure	31.9 MPa {325 kgf/cm ² }
Hydraulic Tank Capacity	710 liters
Weight	
Operating Weight*	Approx. 424 t
Ground Pressure*	136 kPa {1.4 kgf/cm ² }
Counterweight	180.0 t (Upper) + 50.0 t (Lower)

* Including upper and lower machine, 180.0 ton counterweight and 50.0 ton carbodyweight, basic boom, hook and other accessories. Units are SI units. { } indicates conventional units. The value and specifications in this documents may change without any prior notice.

GENERAL DIMENSIONS

Unit: mm



KOBELCO CRANES CO., LTD.

BOOM CONFIGURATIONS

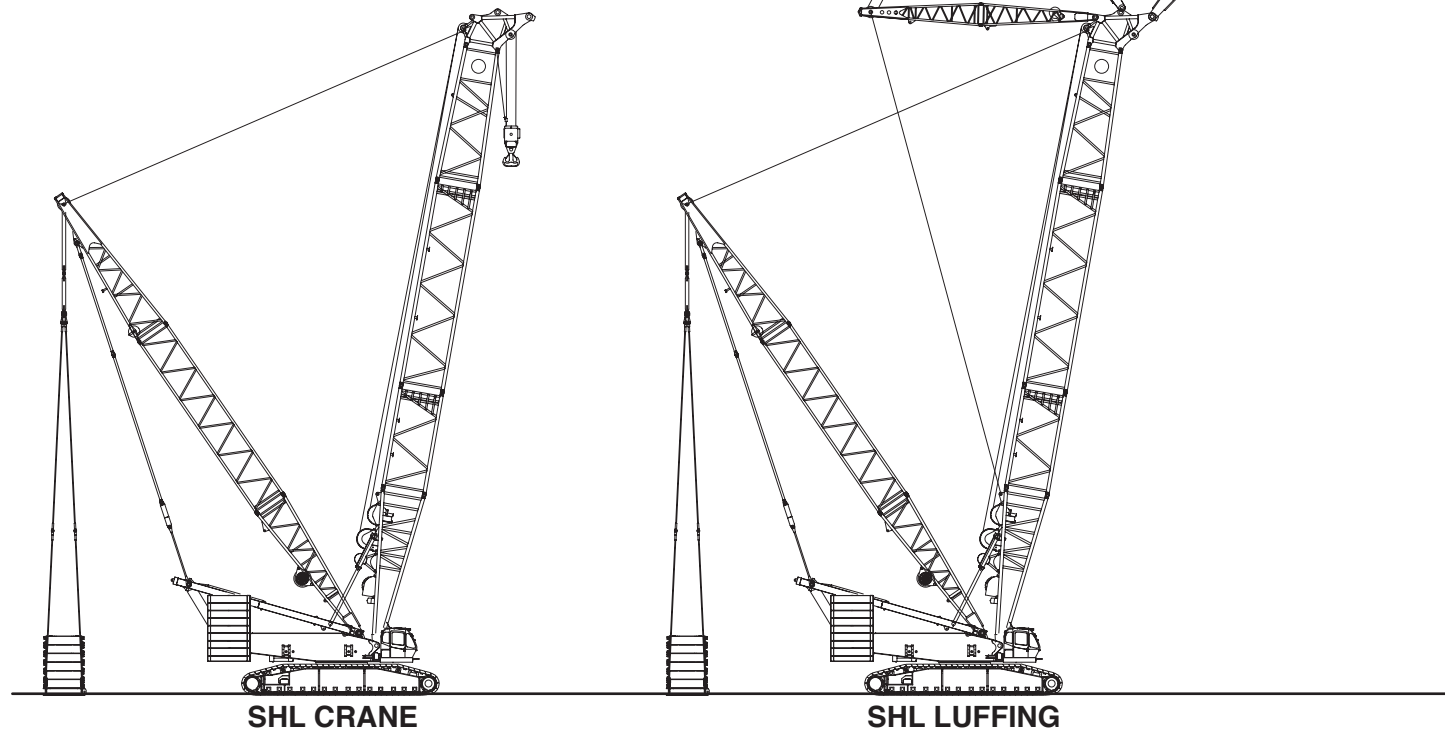
Lift Enhancer Boom Configurations			STD			HL			SHL			
			Crane		Luffing	Crane		Luffing	Crane		Luffing	
Length	Heavy	STD	Heavy	STD		Heavy	STD		Heavy	STD		
		9 m	42 m	84 m	60 m + 72 m	42 m	84 m	78 m + 42 m	42 m	84 m	84 m + 84 m	
Boom	Lower		1	1	1	1	1	1	1	1	1	
		Upper	Heavy Duty (550 t Capacity)	1	0	0	1	0	0	1	0	0
			Standard (300 t Capacity)	1	1	1	0	1	1	0	1	1
	Insert	6 m	6 m	2	1	1	2	1	2	2	1	1
		12 m	12 m	1	5	3	1	5	4	1	5	5
Taper		8 m	1	1	1	1	1	1	1	1	1	
Luffing	Lower	10 m	NA		1	NA		1	NA		1	
	Upper	8 m	NA		1	NA		1	NA		1	
	Insert	6 m	NA		1	NA		1	NA		1	
		12 m	12 m	NA		4	NA		2	NA		5
HL Mast	Lower	9 m	NA		NA	1		1		1		
	Upper	9 m	NA		NA	1		1		1		
	Insert	12 m	NA		NA	1		1		1		
SHL Counterweight	Base Weight (10 t)		NA		NA	NA		1		1		
	Piece Weight (~240 t)		NA		NA	NA		1		1		

* Additional jack or support crane is not necessary to lift above boom configuration

HOOK BLOCKS

Hooks	Weight	No. of sheaves
550 ton	9.1 t	22
300 ton	6.8 t	13
120 ton	4.5 t	5
70 ton	3.1 t	3
40 ton	2.0 t	1
Ball hook	0.8 t	0

LIFT ENHANCER



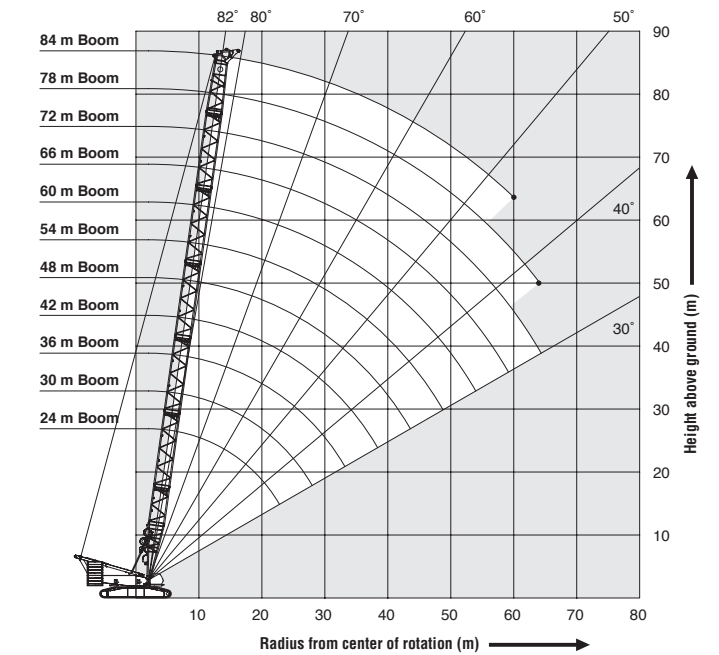
CRANE BOOM

LIFTING CAPACITY

Unit: metric ton

Upper Boom Boom Length (m)	Heavy		Standard	
	24	30	60	84
6.0	6.7 m/450.0			
7.0	425.0	7.7 m/300.0		
8.0	375.0	300.0		
9.0	330.0	300.0		
10.0	294.0	292.1	11.8 m/197.3	
12.0	233.3	230.2	194.3	
14.0	192.0	188.9	163.0	15.2 m/126.4
16.0	158.7	157.8	139.4	119.0
18.0	133.3	132.4	121.0	103.6
20.0	114.4	113.4	106.2	91.1
22.0	97.4	98.6	94.2	80.6
24.0		86.9	83.9	71.8
26.0		77.3	74.2	64.2
28.0		69.4	66.1	57.7
30.0		28.7 m/66.8		52.0
34.0			48.4	42.4
38.0			40.2	34.9
42.0			33.7	28.7
46.0			28.3	23.6
50.0			23.8	19.0
54.0			20.6	15.1
58.0			54.7 m/19.6	
62.0				8.8

WORKING RANGES



LUFFING JIB

LIFTING CAPACITY

Unit: metric ton

Working Radius (m)	Boom Angle: 86°		
	30	48	60
14.0	184.0		
16.0	160.5		
18.0	141.6		
20.0	125.3		
22.0	112.2		
24.0	100.1	82.4	
26.0	89.8	77.6	
28.0	81.3	72.0	
30.0		67.1	
34.0		58.9	47.7
38.0		51.9	44.2
42.0		45.4	39.4
46.0		40.2	35.3
50.0		35.9	30.1
54.0		31.4	25.0
58.0		27.1	20.7
62.0			17.1
66.0			14.0
70.0			11.3
74.0			9.0
78.0			7.0

- 1) Ratings according to EN13000.
- 2) Ratings in metric tons for 360° working area.
- 3) Crawler frames must be fully extended for all crane operations.
- 4) Ratings are for operation on a firm and level surface, up to 1% gradient. Take care of proper load spreading mats.
- 5) Weight of hook block(s), shackles, spreaders and other load handling accessories is included in rated load. Their total weight must be subtracted from rated load to obtain weight that can be lifted. Reeved loadlines are calculated in the capacity.

WORKING RANGES

